

## Refrigerator Cabinet

### Outstanding cooling performance

The new developed cabinet in the SuperDry Totech product line is able to cool between 2 and 20°C.

The XSDC 601-01 cabinet is added because it is a perfect fit for the current XSD product line.

The XSDC 601-01 can be used for various applications where cooling is needed.



# XSDC 601-01

## Standard features

✓ <b>User friendly handling</b>	High visibility display with basic functions
✓ <b>Insulation</b>	60 mm sandwich construction with Polyurethane
✓ <b>Interior lighting</b>	Low power consumption LED lighting
✓ <b>Door &amp; temperature alarm buzzer</b>	Longer door openings are detected, high temperature levels are detected
✓ <b>Leveling out</b>	Adjustable legs
✓ <b>Lockable doors</b>	Every door can be locked separately with a key.
✓ <b>Shelves</b>	In height adjustable plastic-coated stainless steel racks (3 pcs)
✓ <b>Body</b>	Full stainless steel body
✓ <b>Sensor</b>	Precision NTC thermistor
✓ <b>Power supply</b>	Power cord 5 meter with IEC plug

## Benefits

✓ <b>Recovery time after power down</b>	± 20 minutes after circa 10 hours of power down
✓ <b>Temperature setting</b>	2 to 20 °C
✓ <b>Defrosting</b>	Electric Automatic and Manual Defrosting
✓ <b>Evaporation</b>	Electric Condensation Water Evaporation
✓ <b>Maintenance</b>	Easy to service, low maintenance

## XSDC 601-01

### Technical data cabinet

- ✓ External dimensions: (W x H x D) 701,5 x 2060 x 672 mm
- ✓ Internal dimensions: (W x H x D) 550 x 1526 x 579 mm
- ✓ Weight: 113 kg
- ✓ Weight on shelf: 40 kg
- ✓ Shelves (WxD): 3 pcs, 530 x 500 mm.
- ✓ Volume: 466 L
- ✓ Electric supply: 230VAC 50Hz
- ✓ Average power consumption: +/- 60 - 100 W/h (depending on ambient temperature)

### Technical data type 1 display

#### Settings

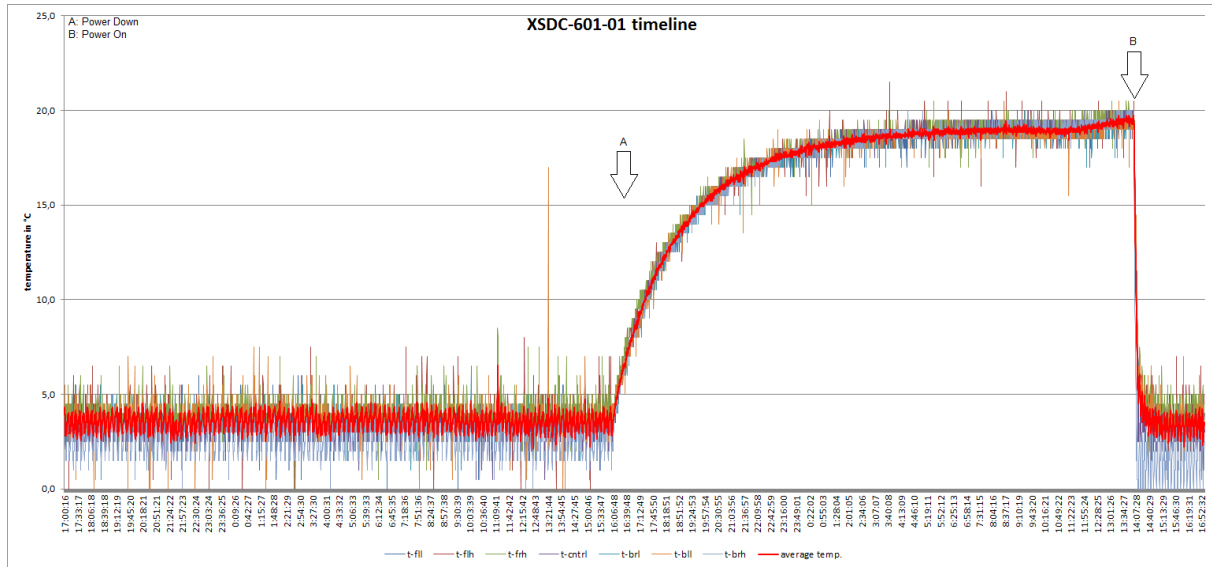
- ✓ Nominal Value Temperature
- ✓ Temperature Alarm
- ✓ Delay Temperature Alarm
- ✓ Doors Alarm
- ✓ Automatic Defrosting



### Technical data refrigerator unit

- ✓ Operating Temperature: 0 °C / 40 °C
- ✓ Power supply: 230VAC 50Hz
- ✓ Compressor power: 407 W
- ✓ Refrigerant: R404a

## Performance test



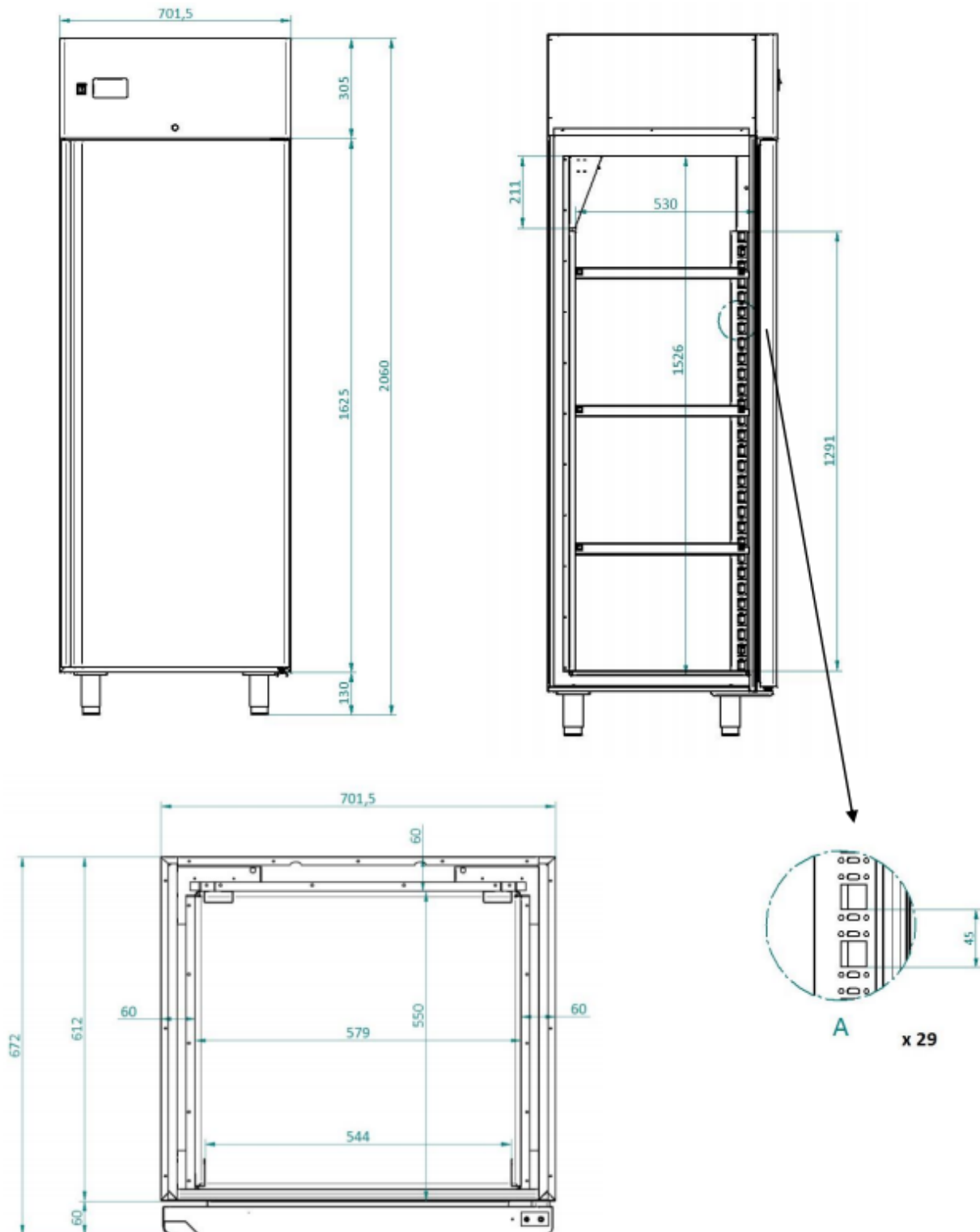
## Test conditions

- ✓ Type of test probe: 9x Hygroclip HC2A-S
- ✓ Accuracy:  $\pm 0.8 \%RH / \pm 0.1 K$ , at 10...30 °C
- ✓ Location of sensors: Every corner + center
- ✓ Ambient conditions:  $\pm 20^{\circ}C$
- ✓ Setpoint: 4°C
- ✓ Happenings: A: Power down  
B: Power on

For more detailed test results, please refer to our website.  
Performance test shown above is a timeline of 24 hours with a forced power down.

# XSDC 601-01

## Technical drawings



## XSDC 601-01

### Options



#### Door release pedal

These foot pedals enable you to open the doors keeping your hands free.

*Item number 47000146*



#### Additional sliding shelves

Stainless steel sliding shelf without rollers.

*Item number 47000136*