

MZ.5000

digital macrozoom



Introduction

Thank you for purchasing the MZ.5000

The MZ.5000 has been designed with all kinds of Life Sciences applications and great durability in mind. This resulted in a modern, robust and high-level microscope for advanced use, equipped with the best optical and mechanical components. Specific attention to production methods resulted also in an excellent price/performance ratio

Please read this manual carefully before using this product to ensure correct and safe usage

- The content of this manual is subject to change without notice
- The appearance of the actual product can differ from the models described in this manual
- Not all equipment mentioned in this manual has to be part of the set you have purchased
- All optics are anti-fungus treated and anti-reflection coated for maximum light throughput

Contents

Introduction	2
Contents	2
Before use	3
Operation	3
Maintenance	3
Components	3
Assembling	4
Assembling scheme	4
Assembling steps	5
How to use	6
Troubleshooting	8

Before use

Operation

- Do not expose the microscope in the sun directly. The microscope ought to be placed where is dry and clean. Avoid high temperature and violent vibration.
- As the microscope is a high precision instrument, always operate it with care, and avoid physical shock or crash during the transportation.
- To keep the image clear, please do not leave fingerprints or stains on the surfaces of lens.
- Never rotate the left and right focusing knobs in reverse direction; otherwise the microscope will be damaged.

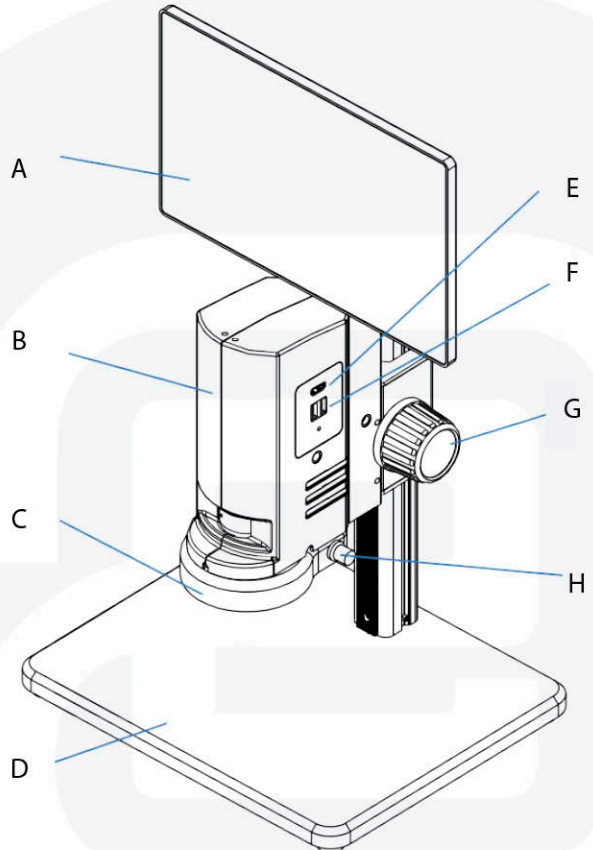
Maintenance

- Keep all the surface of the lens clean. Wipe the lens gently with a soft lens tissue or blow away the dust. Carefully wipe off oil or fingerprints on the lens surfaces with tissue moistened with a little of 3:7 mixture of alcohol and ether.
- Do not use organic solution to wipe the surface of other components, especially the surface of plastic components. Please use the neutral detergent if necessary.
- Never disassemble the microscope yourself, otherwise it will influence its function or damage it.
- After using, cover the microscope with a dust cover to prevent it from the dust, and store it in a place free from moisture to avoid rusting.

To keep the performance of the microscope, please check it periodically.
For more details, please contact the agents nearby

Components

- A** Display
- B** Body
- C** LED Ring light
- D** Base
- E** HDMI interface
- F** USB interface
- G** Coarse focusing knob
- H** LED light adjustment knob



Assembling

Assembling scheme

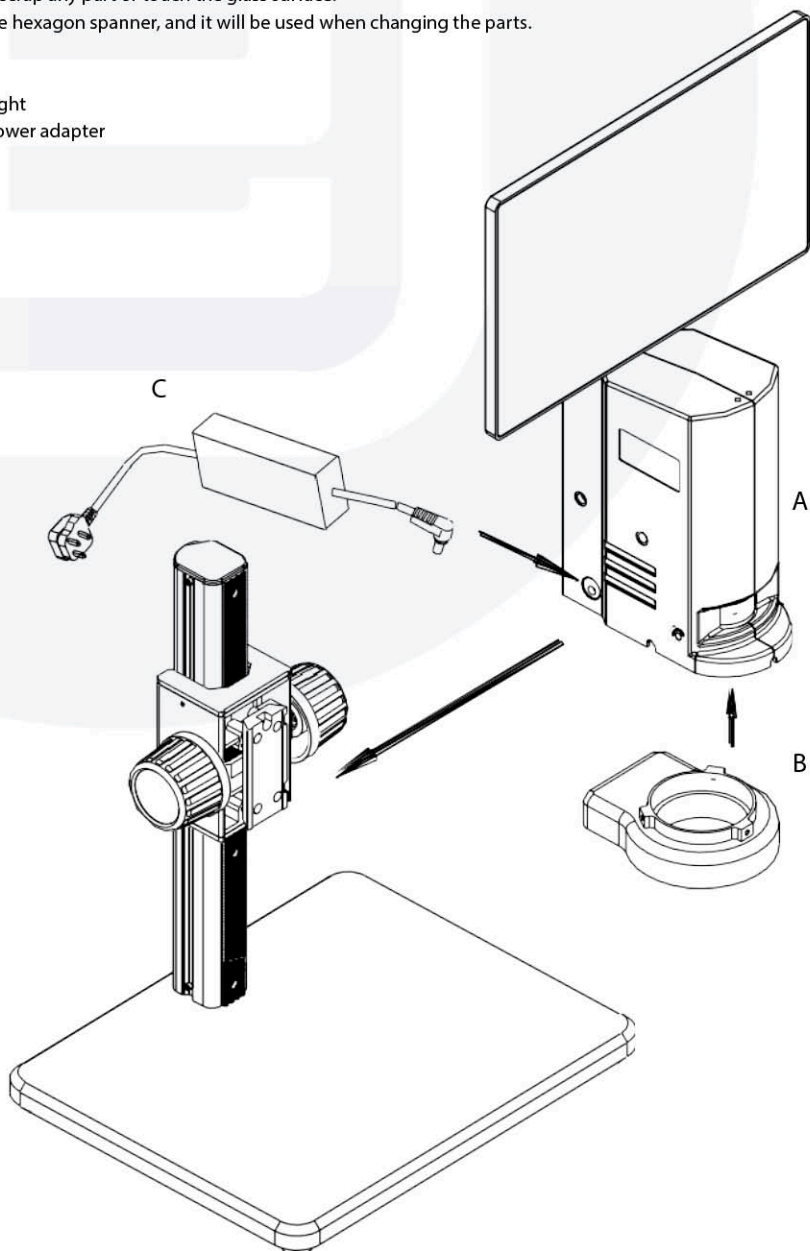
Following is the Assembling Scheme to describe how to assemble the components, and the numbers denote the assembling order.

- Before assembling, make sure there is no dust, dirt or other materials which will disturb it. Assemble carefully and do not scrap any part or touch the glass surface.
- Preserve the hexagon spanner, and it will be used when changing the parts.

A Body

B LED Ring light

C External power adapter



Assembling steps

Assemble the microscope body

- Match the dovetail interface (1) of the microscope body with the dovetail groove (2) of the focus bracket group, and insert it from top to bottom as the direction shown in the figure, fix the screw in the screw groove
- Tighten the screw on the body group (3) with a M4 inner hexagon spanner (side length 2mm). (See Fig.1)

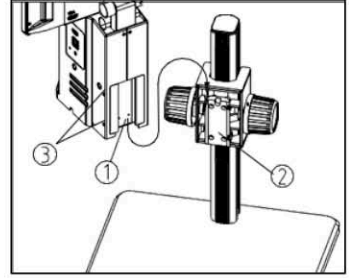


Fig.1

Assemble the LED ring light

Move the LED ring light close to the microscope body according to the arrowhead direction, align the three screw holes (1) with the thread groove (2), and lock the screw with a M4 inner hexagon spanner (side length 2mm). (See Fig. 2)

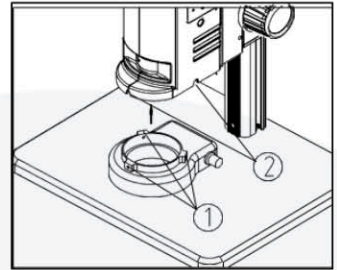


Fig.2

Connect the Power Connect the power cord

Insert the external adapter plug (1) into the power supply adapter socket (2) of the microscope body to the bottom, and the power will be switched on. (See Fig. 3)

- Don't use strong force when the power cord is bended or twisted, otherwise it will be damaged
- Use the special wire supplied by our company. If it's lost or damaged, choose an external power adapter with the same specifications (power cord/charger)

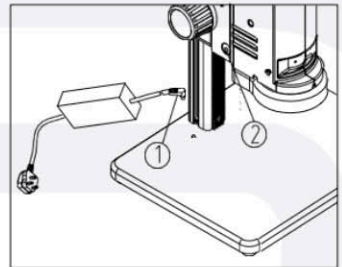


Fig.3

Adjusting screen's degree of tightness

- Cuspidal tool opening the cap nuts (1) in two sides, Allen wrench screwing off the M3 hexagon screws (2) from the cap screws (4), and screwing flat nuts (4) to adjust tightness meanwhile Straight screwdriver keeping rotation axle (3) still. (See Fig. 4)
- Tightening two M3 hexagon screws (2), then put cap nuts back

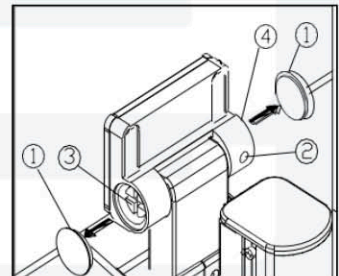


Fig.4

How to use

Adjust the Focusing Tension

- To adjust the focusing tension, grip the left knob and rotate the right knob (1). It will be tighten when rotated in clockwise, while loosen in counter-clockwise. (See Fig.5)
- Adjust the focusing tension to appropriate position, to prevent the microscope body declining with the bracket when observing, and also make focusing more comfortable.

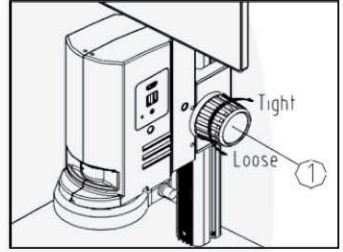


Fig.5

Set Illumination

- Insert the power cord plug of body group into the ring light interface (1), then turn on the switch (3) to start the light source. (See Fig.6)
- Rotate the light adjustment knob (4) to adjust the illumination brightness. Rotate the light adjustment knob clockwise to raise the brightness, while counter-clockwise to decrease the brightness. (See Fig.7)

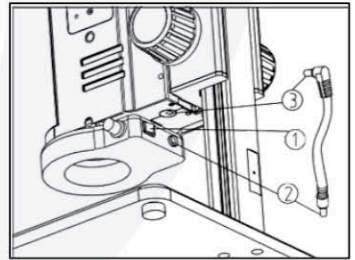


Fig.6

Place the Specimen

Put the specimen on the base and let the observation point exactly below the microscope. (See Fig.8)

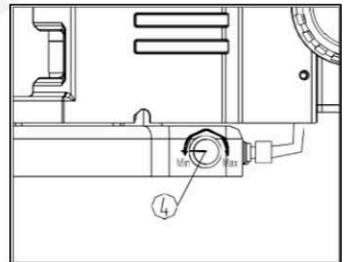


Fig 7

Adjust the Focus

- Rotate the zoom adjustment ring (1) to the maximum magnification.
- Observe the output image, if it is not clear, rotate the focusing knob (2) to make it clear
- Rotate zoom adjustment ring to the minimum magnification. Observe the output image until it is clear. (See Fig.9)
- High low magnification parfocality is set to best position when this product is produced

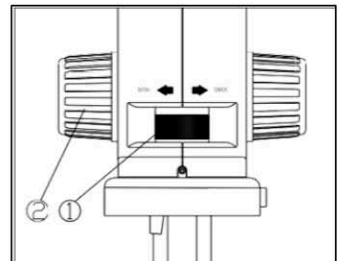


Fig 8

Fix the Magnification

If use a fixed magnification for long term or use with shake, tighten and fix the magnification lock-screw (1) with a M4 inner hexagon spanner (side length 3mm). (See Fig. 9)

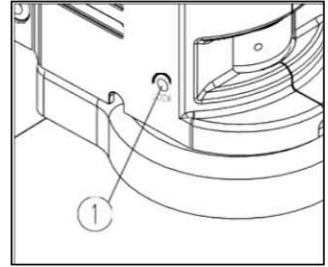


Fig.9

Use the Button and Interface

It means the camera is working when the indicator turns green. (See Fig. 10)

- HDMI cable interface (1), connect the HDMI cable to output the high definition image signal
- USB interface (2), connect the USB cable with the devices as mouse and USB disk
- Camera button (3), when the camera is working, press once for take one photo

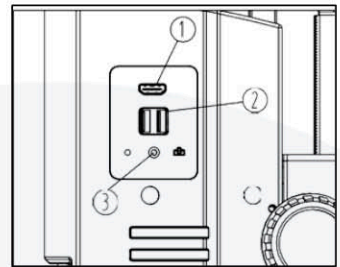


Fig.10

Troubleshooting

As the performance of microscope can't play fully due to unfamiliar operations, the table below can provide some solutions

Problem	Cause	Solution
1. Stain or dust is observed in the video	Stains have accumulated on the specimen	<i>Clean the specimen</i>
2. The video image is unclear	Stains have accumulated on the lens surface	<i>Clean the lens</i>
	Focusing is not correct	<i>Adjust the focusing</i>
3. The video image doesn't display	The external power cable isn't connected well	<i>Reconnect the external power cable</i>
4. The image is too bright or too dark	The LED ring light illumination has a problem	<i>Adjust the brightness of LED ring light</i>
	Display properties adjustment	<i>Open the display menu of settings to adjust the brightness</i>
5. The display is no response and flash back	The operation is too often and disorder, which results in error feedback of system	<i>Restart it</i>
6. The focus knob is not flexible	The lock-screw is too tight	<i>Loosen the lock-screw</i>
7. The image is not clear due to the self-decline of the microscope body	The focusing knob is too loose	<i>Tighten it</i>
8. It can't zoom	The zoom adjustment ring is locked	<i>Loosen the magnification lock-screw</i>
9. LED does not shine when powered on	No power	<i>Check the connection of Power Cord</i>
	The LED light is burnt out	<i>Replace a suitable light source</i>
10. LED light is burnt out suddenly	Voltage is too high	<i>Use a suitable external power adapter</i>
11. The illumination brightness is not enough	Voltage is too low	<i>Use a suitable external power adapter</i>